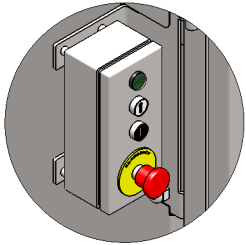
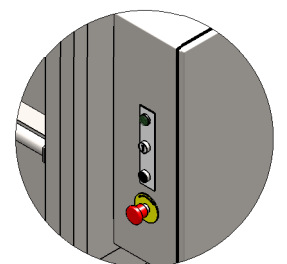
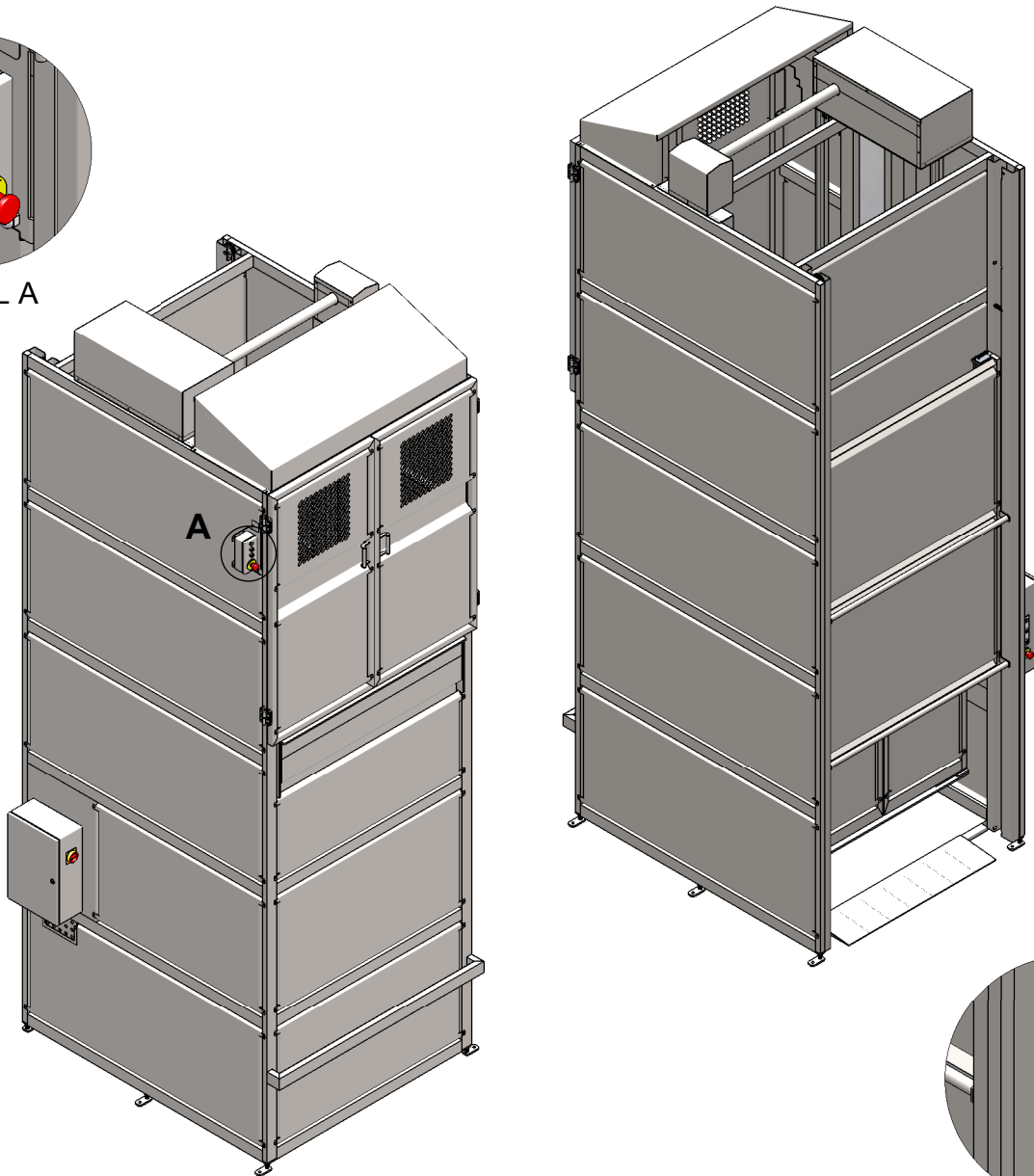


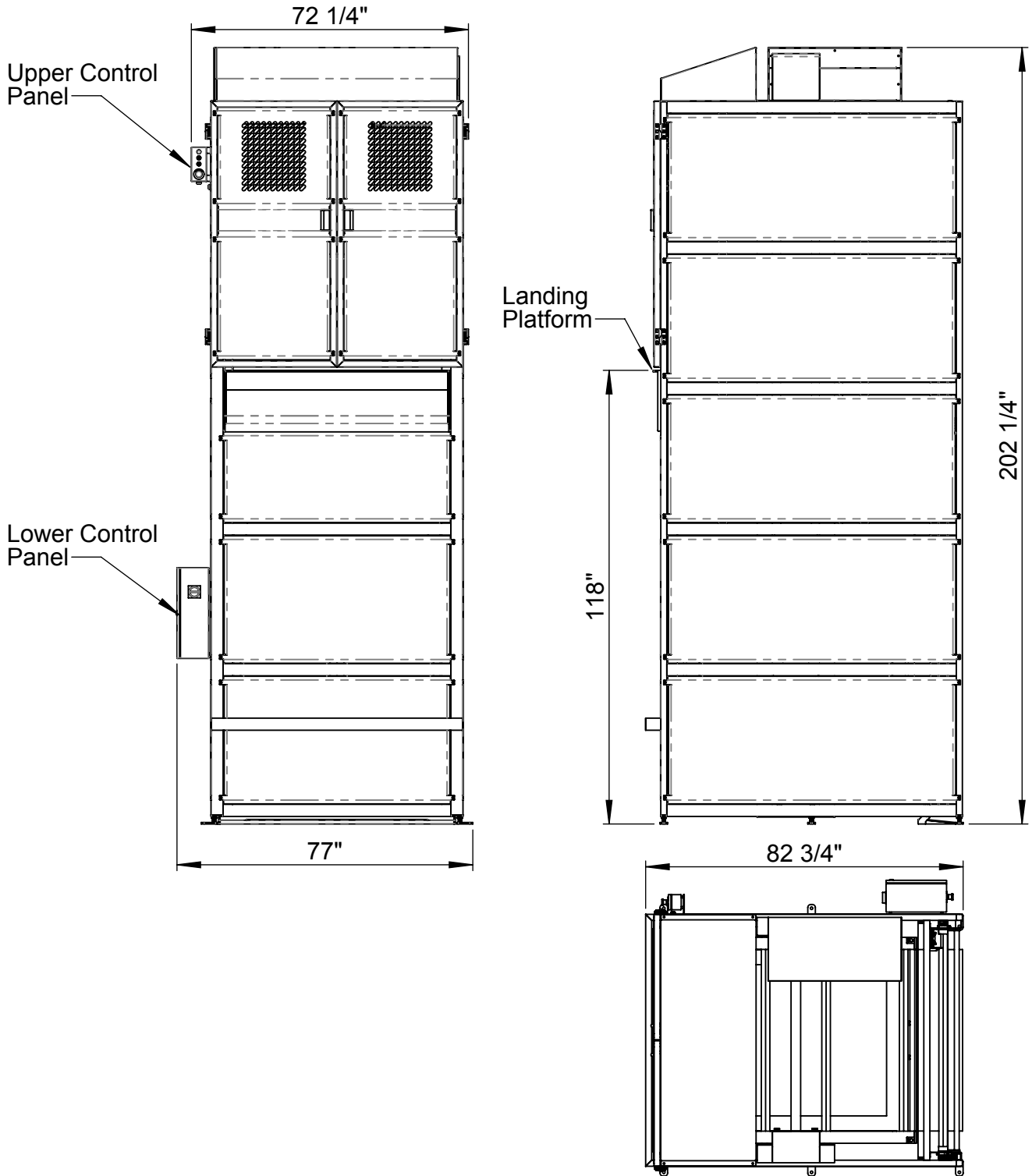
Specifications	
Description	Lifts pallets of product for unloading on a mezzanine floor
Platform internal dimensions	55" x 55"
Safe working load	2200 lb
Lifting speed	20ft/min (4"/second)
Power supply	480 volt, 3PH, 60Hz
Control voltage	24V AC
Operating environment temperature	15°F to 105°F
Controls	Automatic
Drive type	Braked gear motor and roller chain
IP rating	IP65 minimum
Safety features	Magnetic safety switches on carriage gates. Solenoid lock switches on access doors.



DETAIL A




Lower Control Panel



Information required	
Headroom	Minimum clearance under ceiling, lights, pipes etc
Access for installation	Dimensions of corridors and doorways. Availability of lifting equipment in the area
Pallet type	Overall dimensions
Mezzanine floor	Dimensions to mezzanine floor

235 Benjamin Drive Suite 102, Corona, California, CA 92879


☎ (951) 808-4376
✉ SALES@CMPSOLUTIONS.NET