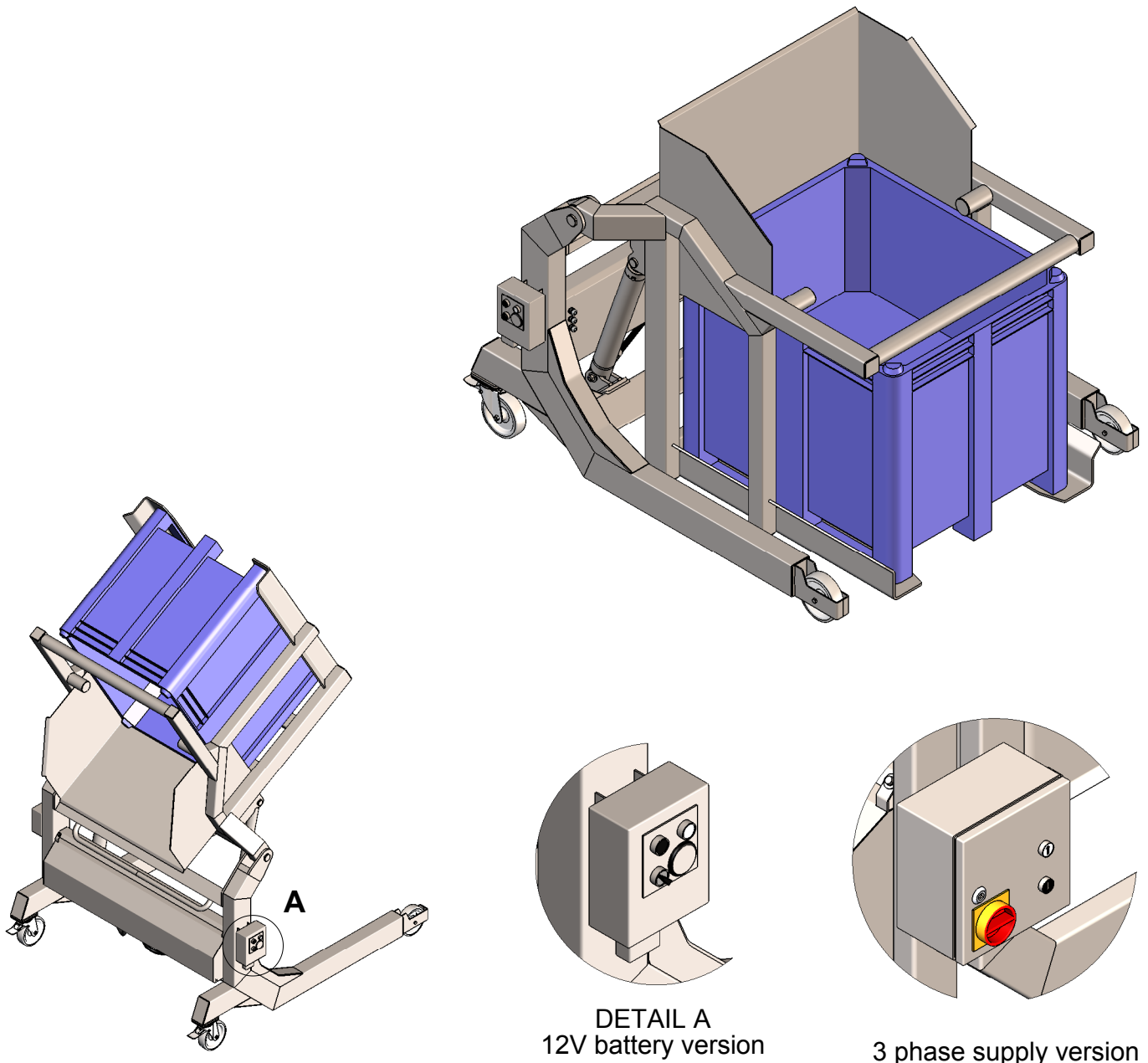
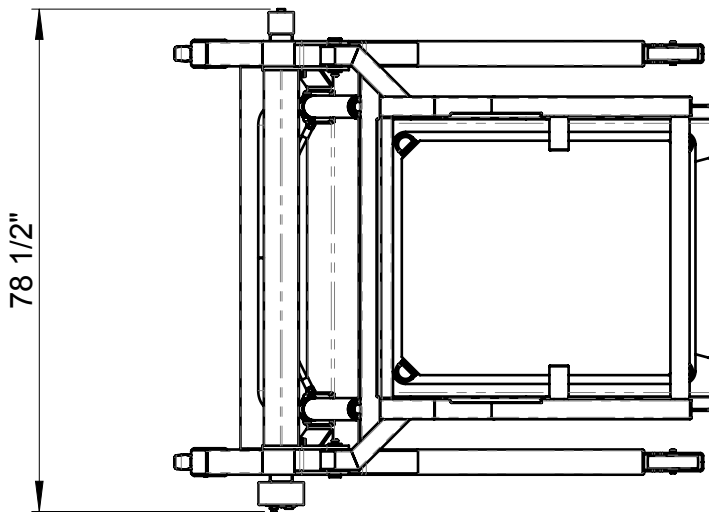
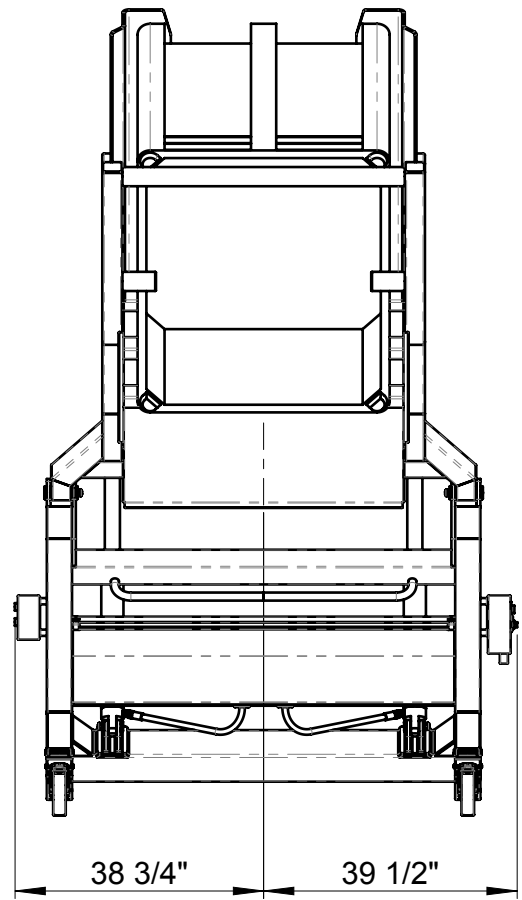
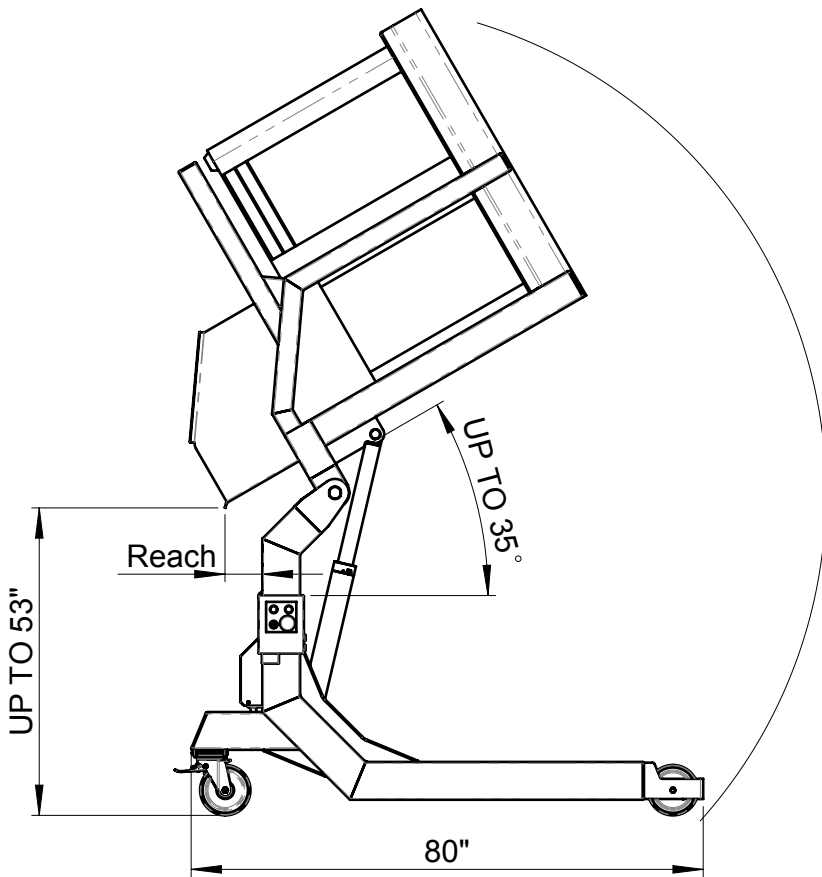


Specifications	
Description	Lifts and tips product onto an acceptance table or hopper
Bin Type	Combo boxes and other containers of similar size
Safe working load	3300 lb
Standard tip angles	85°, 115°, 125°
Battery version - charger power supply	110V single phase, 60Hz, 13 amp
Battery version - motor and control voltage	12V DC
Battery version - IP rating	Controls in IP55 enclosure. Battery and hydraulics in ventilated enclosure
Mains supply version - supply	480 volt 3PH, 60Hz
Mains supply version - control voltage	24V AC
Mains supply version - IP rating	IP55 minimum
Controls	Hold to run push buttons on both sides





Information required	
Product type	Name and information about the product
Tip height	Height and angle of chute required
Reach	The horizontal distance needed between tipper and receiving hopper / table

235 Benjamin Drive Suite 102, Corona, California, CA 92879



(951) 808-4376
 SALES@CMPSOLUTIONS.NET