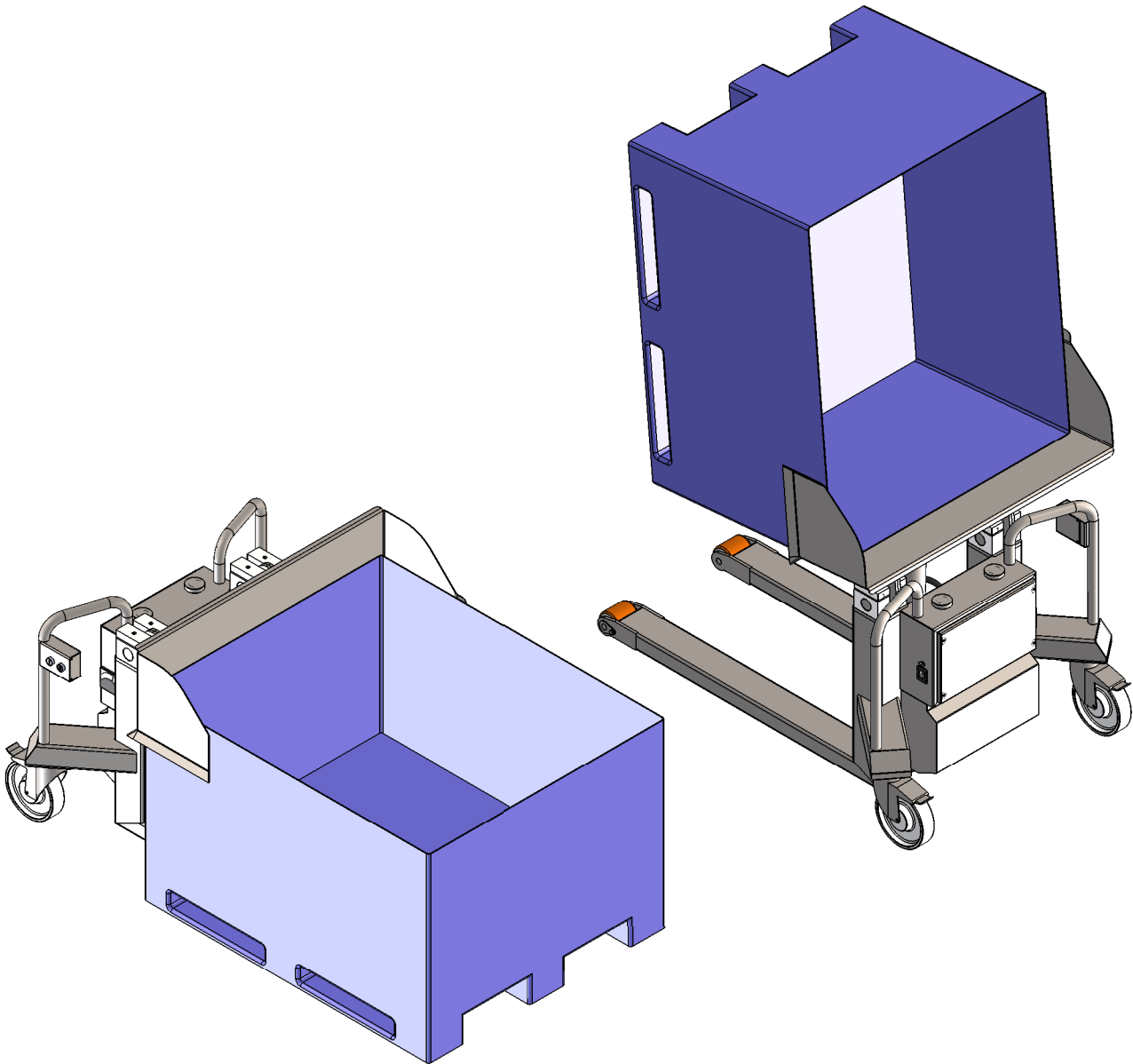
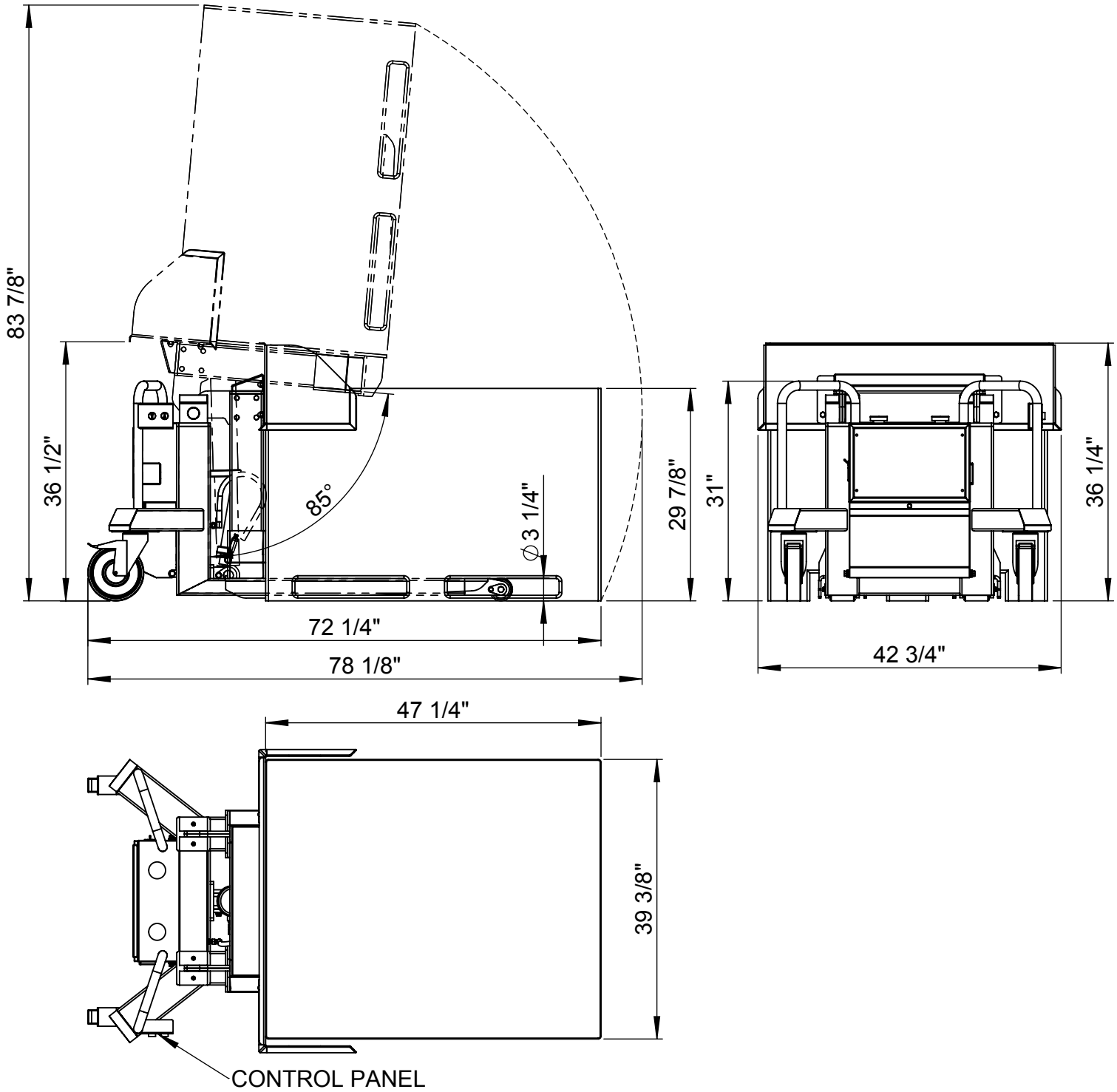


Specifications	
Description	Lifts and tilts to aid the unloading of large containers
Bin Type	Combo type containers
Safe working load	2200 lb
Tip angle	85°
Power supply to charger	110V single phase, 60Hz, 13 amp
Battery, motor and control voltage	12V DC
Operating environment temperature	15°F to 105°F
Controls	Hold to run push buttons
Drive type	Battery powered hydraulics





Information required	
Container	Overall dimensions of container
Product type	Weight of product in the container. Name and characteristics of product
Charger type required	Either non-IP rated (to be used in a dry area) or IP 65

235 Benjamin Drive Suite 102, Corona, California, CA 92879



(951) 808-4376

SALES@CMPSOLUTIONS.NET