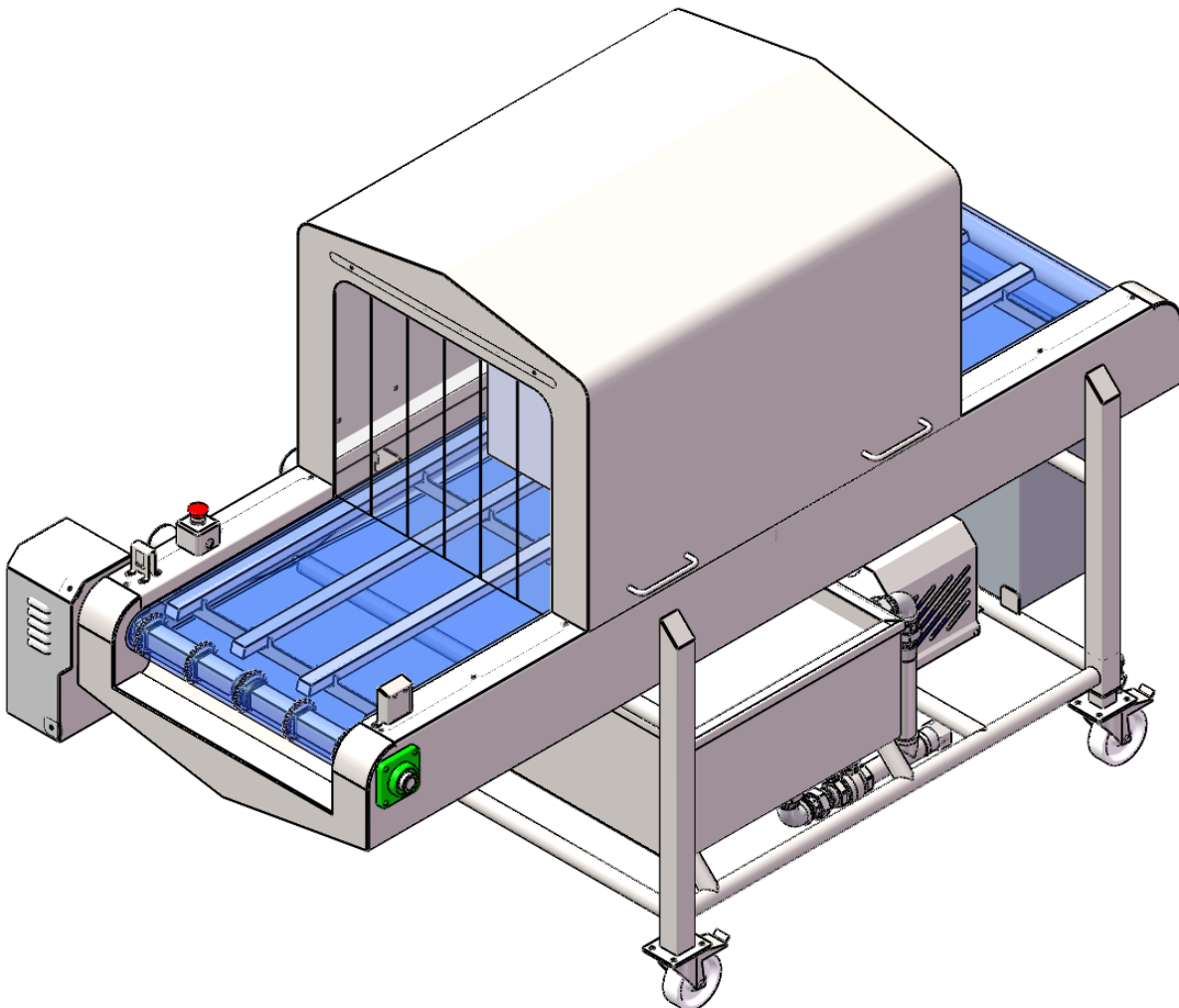
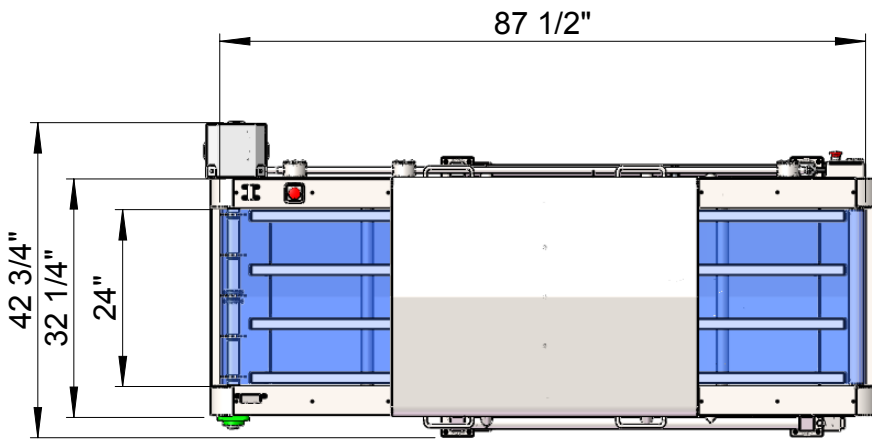
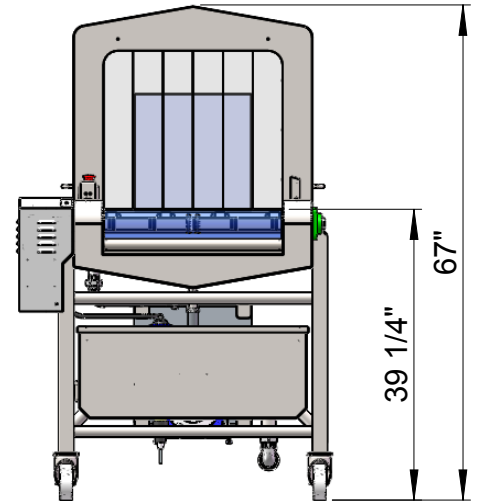
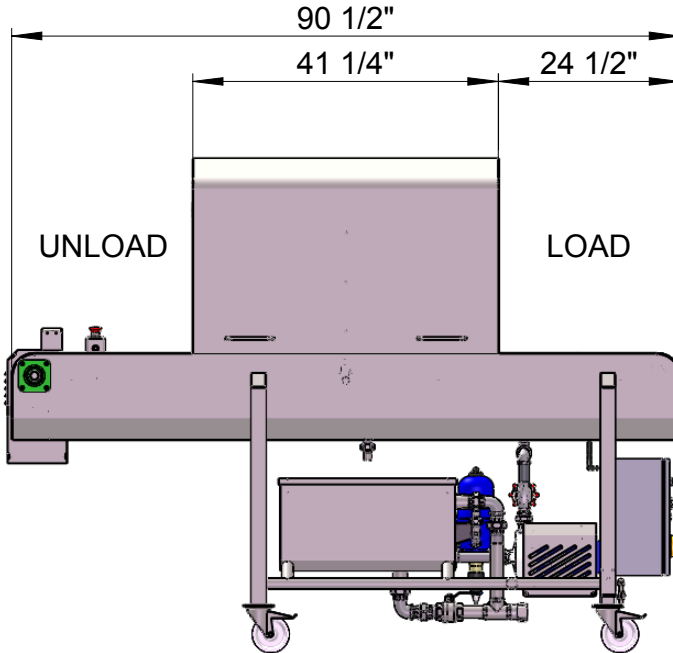


Specifications	
Description	Sanitising conveyor
Aperture size	24 1/4in x 21 3/4in
Conveyor drive	Inverter controlled, SEW drive
Power supply	480v 3PH 60Hz
Pump	lowara 0.5hp
Dosing	Auto mechanical dosing unit
Filter	Removable gravity screen filter
Mass	Approx 1100lbs





235 Benjamin Drive Suite 102, Corona, California, CA 92879



(951) 808-4370  
SALES@CMPSOLUTIONS.NET